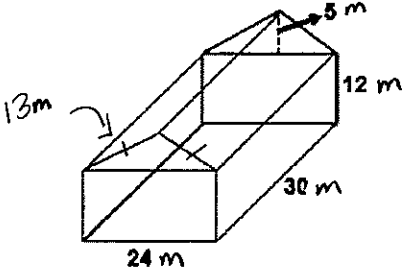
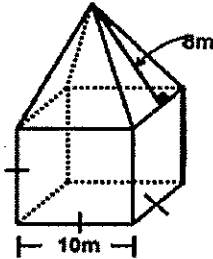
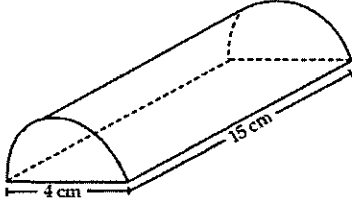


Name: \_\_\_\_\_

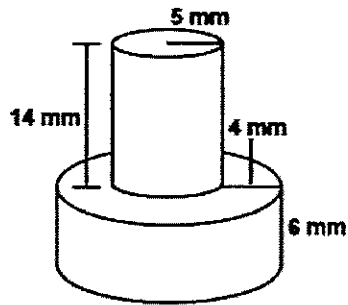
Date: \_\_\_\_\_

Find the surface area of the following shapes:

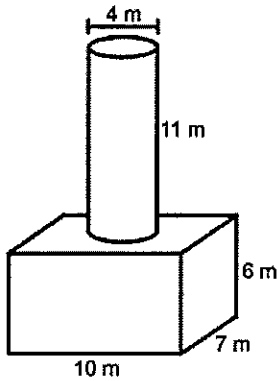
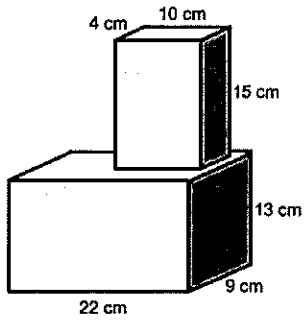


Name: \_\_\_\_\_

Date: \_\_\_\_\_

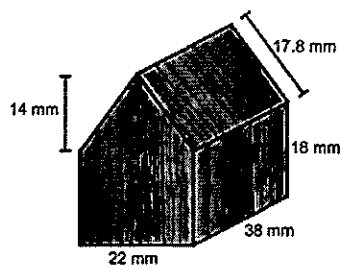


Calculate the **total surface area** of the composite solid (composed of two right rectangular-based prisms) below.

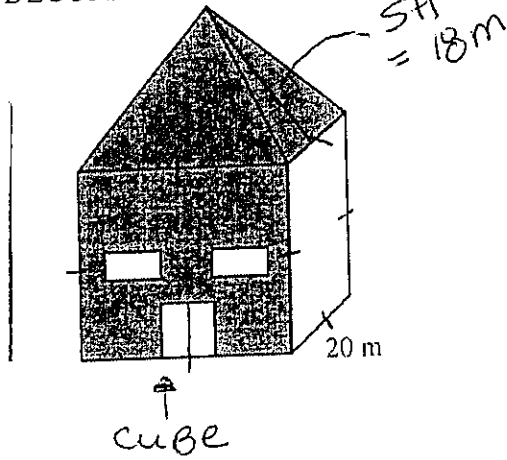


Paulo is building a miniature farm set and is currently working on the barn. He wants to use red paint on all sides of the wooden barn, as shown in the diagram below (composed of an isosceles triangular-based prism and a rectangular-based prism).

Determine the **total surface area** that Paulo will need to cover including the base.



- ⑨ Find the total surface area of this DECOMPOSABLE solid.



⑩

HEXAGON  
The gazebo below is a right prism, the roof is pyramid shaped. Students have been hired to paint the walls, the roof, and the door of the gazebo. Each floor side is 8 m long, the walls are 3 m high

Calculate the surface area to be painted

