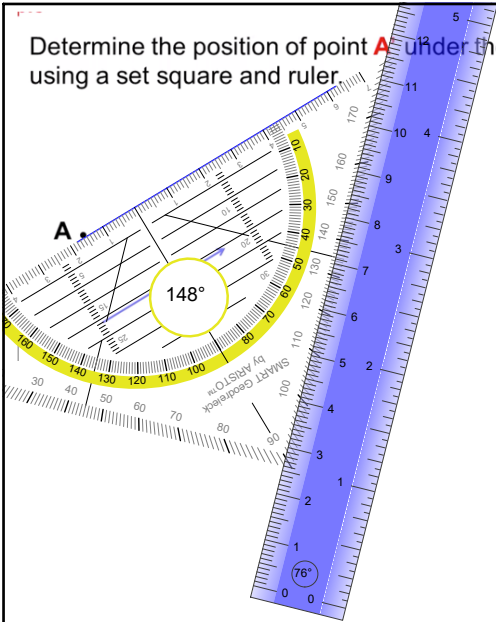
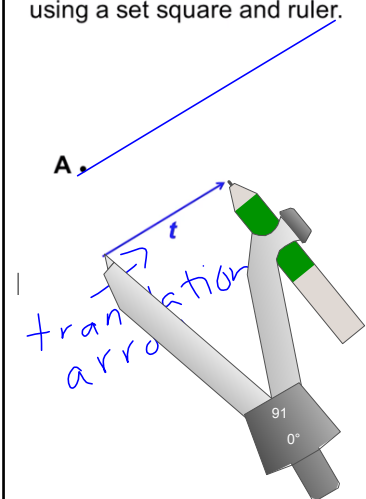


Determine the position of point **A'** under the given translation using a set square and ruler.



① draw parallel line

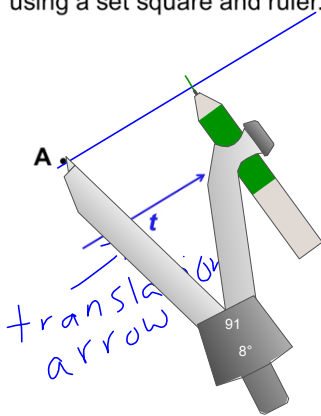
Determine the position of point **A'** under the given translation using a set square and ruler.



① draw parallel line

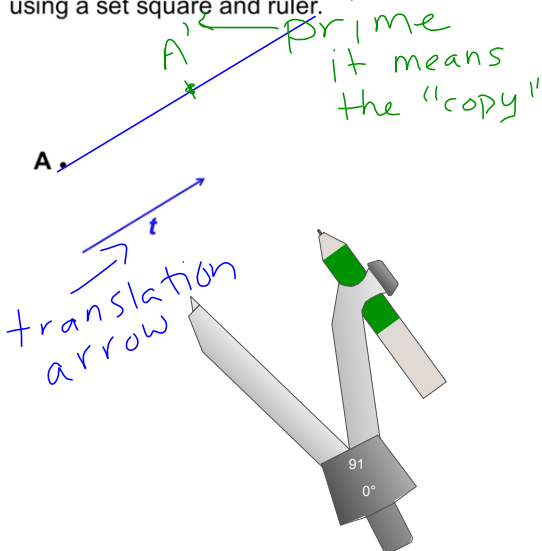
② open compass the width of t

Determine the position of point A' under the given translation using a set square and ruler.



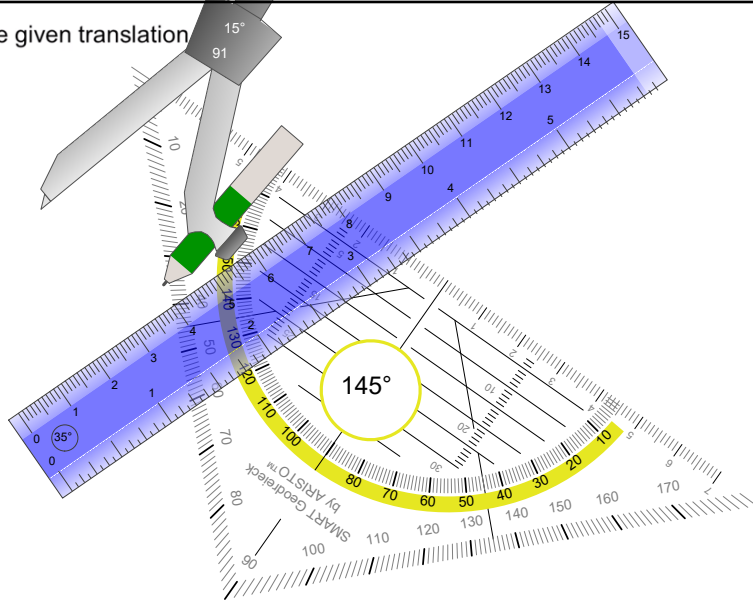
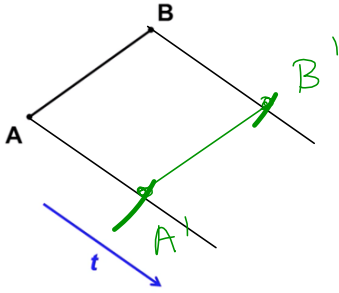
- ① draw parallel line
- ② open compass the width of t
- ③ Draw arc.

Determine the position of point A' under the given translation using a set square and ruler.



- ① draw parallel line
- ② open compass the width of t
- ③ Draw arc.
- ④ Label point

Determine the image of \overline{AB} under the given translation t using a compass.



Given the triangles below, draw the translation arrow t from point P which translates $\triangle ABC$ to $\triangle A'B'C'$. Use a compass and ruler.

