

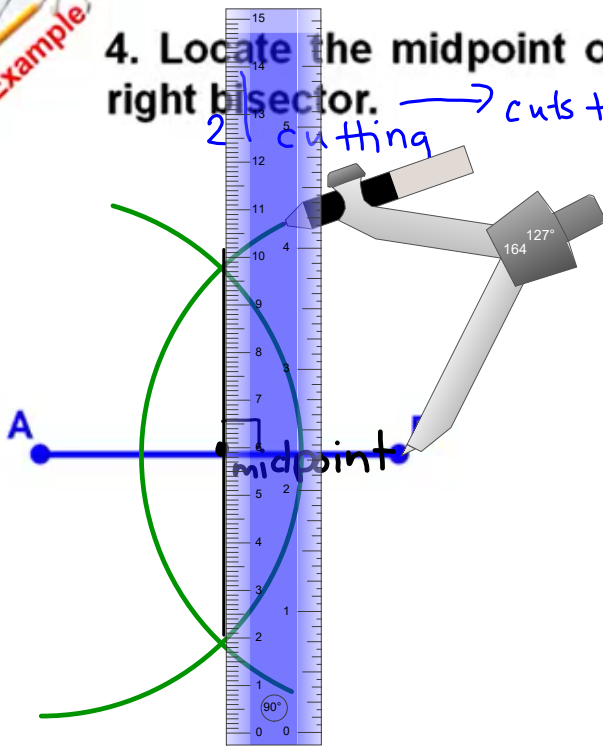
2. Construct a line that is parallel to \overline{PQ} and that passes through the point R.

lines never meet

3. Determine the shortest distance from point P to \overline{QR}

Example

4. Locate the midpoint of \overline{AB} by constructing a right bisector. \rightarrow cuts the shape in half.



Example

5. Construct an angle bisector of $\angle AOB$ and find the measures of the two resulting angles. \rightarrow cuts the \angle in half

