

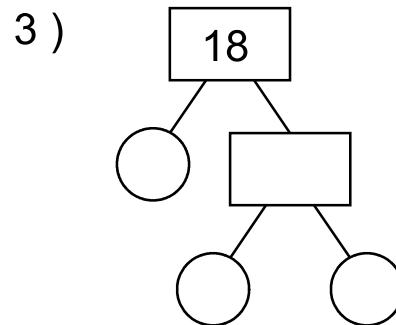
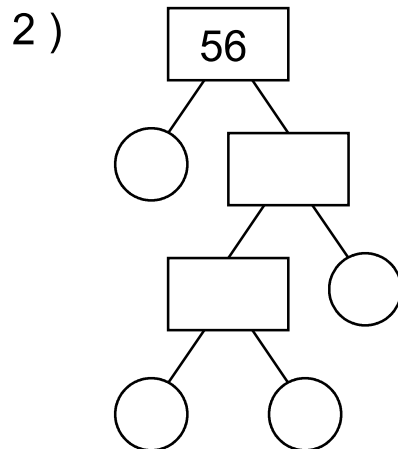
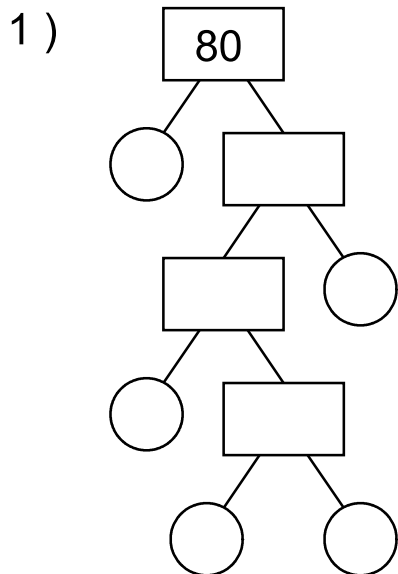
Name : _____

Score : _____

Teacher : _____

Date : _____

Find the Prime Factors of the Numbers



Prime Factors

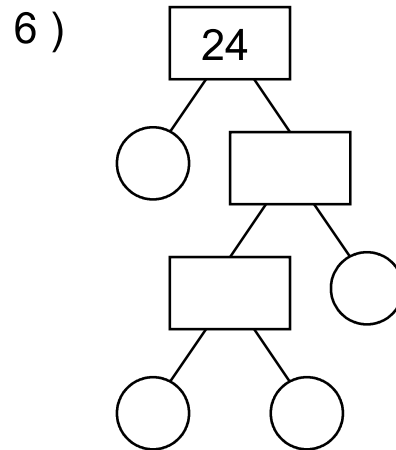
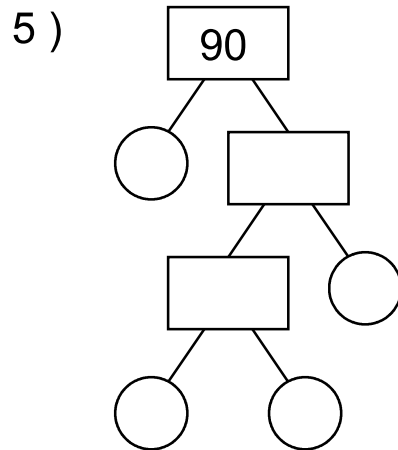
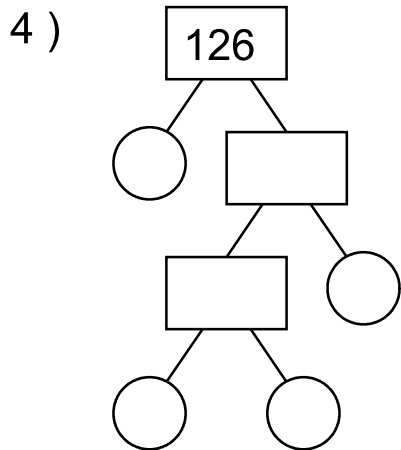
 x x x x = 80

Prime Factors

 x x x = 56

Prime Factors

 x x = 18



Prime Factors

 x x x = 126

Prime Factors

 x x x = 90

Prime Factors

 x x x = 24